

Heavy duty adjustable
solid steel ball mount
use and care instructions

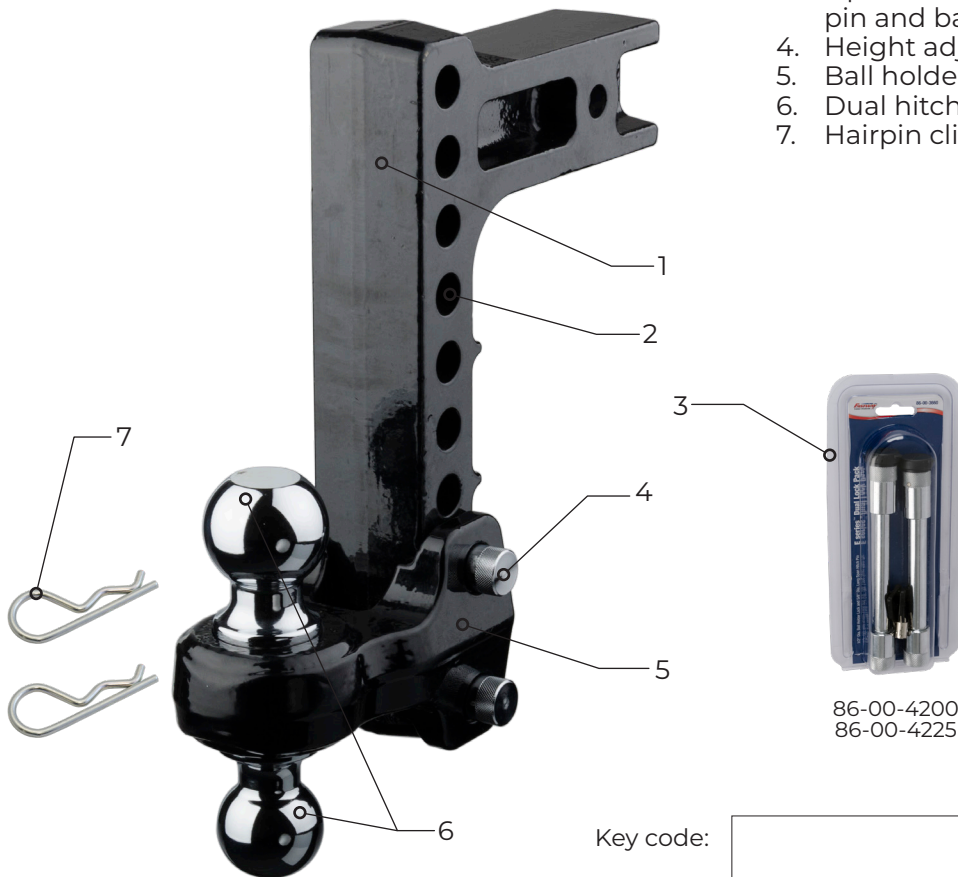
MODEL	SHANK SIZE	DROP	RISE
49-00-5600	2"	6"	6"
49-00-5900		10"	10"
49-00-5625	2-1/2"	6"	5"
49-00-5925		10"	9"

SHANK SIZE	BALL SIZE	MAX TRAILER WT. LB	MAX TONGUE WT. LB
2"	2"	8,000	1,200
	2-5/16"	12,000	
2-1/2"	2"	12,000	2,000
	2-5/16"	20,000	

Congratulations on your purchase of a new Fastway® FLASH™ Solid Steel ball mount (SSBM). Read these instructions thoroughly to become familiar with proper set up and maintenance procedures. This will ensure your FLASH ball mount will give you maximum performance, and years of service.

Keep these instructions in a safe place as a reference for future information, or access them online at fastwaytrailer.com/manuals.

1. Drop bar
2. Height adjustment holes
3. Optional locking pin set (keyed alike hitch pin and ball height adjustment pin)
4. Height adjustment pins
5. Ball holder
6. Dual hitch ball
7. Hairpin clips



86-00-4200
86-00-4225

Key code:

Important: Lost keys cannot be replaced without the key code. Write it down and keep it in a safe place.

Please register your product. See warranty information on back. If you lose your keys, contact us about a replacement at 877-523-9103.

Made in the USA

Important Safety Information

Failure to follow all safety warnings may result in severe injury or death.

⚠️ WARNING

- Read, understand, and follow all safety warnings, setup, use, and maintenance instructions of your trailer, tow vehicle, and hitching equipment before installing your FLASH ball mount or towing your trailer.
- Use only the supplied OEM ball holder pins or Fastway OEM replacements to secure the ball holder to the drop bar.
- Always use two pins to secure the ball holder to the drop bar.
- Never cut, weld, grind, bend, heat, or modify ball mount components in any way.
- It is the driver's responsibility to properly install and adjust equipment and adjust driving habits to match towing conditions. The driver is responsible for their own safety and the safety of passengers.
- Never exceed the specified weight ratings for the trailer, tow vehicle, receiver hitch, ball mount, hitch ball, or any other towing equipment.
- Always load the trailer correctly. Follow trailer and tow vehicle manufacturer's recommendations for placement and quantity of cargo. Tongue weight should be between 10% -15% of Gross Trailer Weight.
- Always use a hitch ball size that correctly matches your trailer coupler size and make sure it is coupled securely before towing.
- Do not impact the ball mount on the ground. Do not back into things with your ball mount or attached trailer (i.e. loading docks, curb and gutter, etc.). If your ball mount has been impacted in

- any way, thoroughly inspect it for damage before towing, and if it is bent or damaged DO NOT tow; replace it.
- Do not tow with ball mount if any part of it shows excessive wear.
- Do not adjust the ball holder height while the ball mount is under load from an attached trailer.
- Check all towing hardware before each trip. Do not tow your trailer until all pins and height adjustment holes have been checked for wear, visually verifying that the height adjustment pin is properly inserted through a height adjustment hole, and that the hairpin clip or lock is in place.
- Check your keys before use to make sure they are in good working order and that the safety locator tab at the front of the key barrel is intact.
- Always use an appropriately sized adapter sleeve when using a tow vehicle equipped with a 2-1/2" or 3" receiver hitch.

⚠️ CAUTION

- Always tow with your hitch ball adjusted to the correct height for the trailer being towed.
- Do not tow your trailer on excessively rough roads.
- Do not tow your trailer through profound ditches, dips, or swales where the ball mount could impact the ground.

Instructions for use

The most important consideration when setting up your FLASH ball mount is to make sure the trailer is as close to level (parallel to the ground) as possible while being towed. To do this, you must set the ball height to compensate for any drop or sag caused by the tongue weight of the trailer.

Level the trailer by parking it on a smooth, flat surface. Measure from the ground to the frame at both the front and rear of the trailer. Use the tongue jack to make adjustments until it is level (both front and rear measurements are the same).

Back the tow vehicle up to the trailer, leaving a few feet of working space between them.

Slide the drop bar into the tow vehicle's receiver hitch and pin it into place.

Measure from the ground to the bottom of the coupler on the trailer, then pin the ball holder into place on the drop bar at that height, with the correctly sized hitch ball for your trailer coupler facing up. **See Figure 1.** You may need to invert the drop bar and use it in the rise position to reach the correct ball height for your particular trailer.

2" models use 5/8" diameter pins to secure the ball holder. 2-1/2" models use 3/4" pins.



Use only the supplied OEM ball holder pins or Fastway OEM replacements to secure the ball holder to the drop bar.

Always use two pins to secure the ball holder to the drop bar.

Always secure the height adjustment pins with the hairpin clips before placing a load on the ball mount.

Couple the trailer to the tow vehicle, and drop the full tongue weight of the trailer on the ball mount.

Re-measure the coupler height, and compare it to the first

measurement. The difference between these is the distance the ball mount should be adjusted upward to compensate for the trailer's tongue weight.

Uncouple the trailer.

Raise the ball holder to the adjusted towing height, and re-pin it into place. It is better to tow with the trailer level, or with the tongue angled slightly downward. If the adjusted towing height falls between two adjustment holes, choose the lower of the two.

Repeat this process if the loading of your trailer changes, or to set the ball mount up for a different trailer.

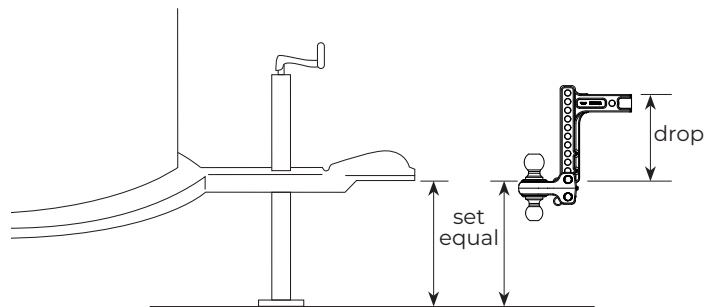


Figure 1

The top of the ball holder height should initially be set equal to the bottom of the coupler socket height with the trailer parallel to the ground, then adjusted upward to compensate for the distance it drops when the tongue weight is being carried. Rise or drop is measured from the top of the receiver opening to the top of the ball holder.

Care and maintenance

Regularly (at least monthly) remove your ball mount from the receiver and wipe away any moisture and road grime from the hitch pin and the inside of the hitch pin bore in the drop bar. Keep a thin film of grease on the hitch pin. Doing so will help prevent corrosion around the hitch pin, which can cause it to become stuck in the receiver tube.

If you live in an area where salt and sand are used during winter to treat roadways, remove your FLASH ball mount and store it inside the tow vehicle, instead of in the receiver during winter months. These elements are extremely abrasive and can damage the powder coat finish of your ball mount.

CLEANING - Wipe away dirt and grime with warm, soapy water and a soft cloth or brush. When cleaning the drop bar and ball holder surfaces, **DO NOT** use degreasers or harsh cleaners - simple mild soap and water is best.

TOWING - Always lubricate the hitch ball with heavy, multi-purpose grease or wheel bearing grease.

Visit our YouTube channel for a detailed video of the FLASH SSBM ball mount.



[youtube.com/fastwaytrailer](https://www.youtube.com/fastwaytrailer)



[facebook.com/fastwaytrailer](https://www.facebook.com/fastwaytrailer)



twitter.com/fastwaytrailer



[google.com/+fastwaytrailerproducts](https://plus.google.com/+fastwaytrailerproducts)

Limited 1 year warranty

Do not return this product to the retailer.

For warranty claims or customer support contact Fastway Trailer Products directly weekdays 8:00 AM - 5:00 PM Mountain time at 877-523-9103 or by email at support@fastwaytrailer.com.

Fastway Trailer Products warrants the FLASH SSBM ball mount, excluding chrome and corrosion, against latent defects in materials and workmanship under normal use and service, ordinary wear and tear is excepted, to the original owner for a period of 1 year from the first date of purchase at retail up to the value of its original purchase price. If this product is latently defective it will be replaced or repaired when a proper return authorization is obtained and the product is returned with transportation charges prepaid to Fastway Trailer Products.

Fastway Trailer Products shall not be required to replace or repair any products damaged as a result of improper installation, alteration, unreasonable use, or improper maintenance including, without limitation, loading the product beyond the factory rated load capacity.

This warranty does not include labor charges nor does it include transportation charges for returning the product to the consumer. To the extent allowed by law, Fastway Trailer Products shall not be liable for any incidental, consequential, or any other damages including, without limitation, breach of any implied warranty, merchantability, or fitness for a particular purpose of any Fastway product. In no event shall Fastway Trailer Products be liable for any damages other than the replacement or repair of the affected part. Authorization and warranty procedure may be obtained by calling Fastway Trailer Products customer support at 877-523-9103 or support@fastwaytrailer.com.

Great products make towing faster and easier. Get more info at fastwaytrailer.com.

ZIP
BREAKAWAY
CABLE



Protect your fingers from loose sharp wire, and provide a safer and more effective connection to your trailer.

FLIP
AUTOMATIC
JACK FOOT



Save time and effort by extending your trailer jack by six inches, eliminating fifty cranks both up and down.

ONESTEP
STABILIZING WHEEL CHOCK



Virtually eliminates unwanted wheel movement providing the most stability for your trailer.

FASTWAY
TRAILER PRODUCTS



Keep your SSBM ball mount safe and secure with a FLASH dual lock pack.